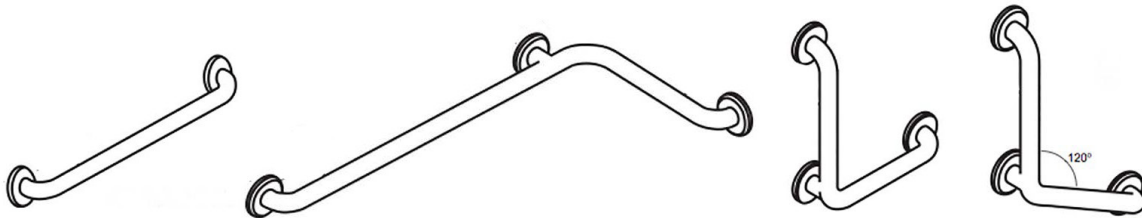




GRAB BARS



Included Materials

- One (1) straight or angled Grab Bar

Tools and Materials (not included)

- Drill - electric or manual
- 1/8" wood or metal drill bit
- 1/4" masonry drill bit (for tiled walls)
- #12 X 2" pan head self-tapping screws
- Measuring tape
- Screwdriver
- Level

⚠ Safety Cautions

- Grab Bars are **ONLY** as strong as the strength and rigidity of the material to which they are mounted. They must be mounted through the shower wall and screwed directly to a wooden or metal stud.
- When drilling into the wall, exercise extreme care to avoid any electrical wiring or plumbing that may be located behind the wall. Older homes may **NOT** always fall in line with current housing codes and requirements. Make sure to verify where internal wiring is located in the wall so that no wires will interfere with the installation. Damaged electrical wiring can cause electrical shock and fire.
- Proper installation is extremely important. Special fasteners may be required if wood is **NOT** in the desired location. If in any doubt, stop and contact a qualified professional for safe installation.

Preparation

Check local code for proper placement of Grab Bar to meet requirements such as from the ADA or the ANSI 117.1 Consumer Safety Requirements. Before installing the Grab Bar, prepare the area and clean

the portion of wall that the Grab Bar will be installed onto.

ROUGH-IN INSTALLATION:

Determine where the Grab Bar will be mounted and install bracing to the rough-in framing to support the Grab Bar through the shower wall.

EXISTING WALL INSTALLATION:

Locate the stud behind the existing shower wall and determine where the Grab Bar can safely be mounted.

Installation

Step 1:

Position the mounting flanges and mark where the holes will be placed with a pencil or other utensil. Drill $\frac{1}{8}$ " pilot holes through the shower wall into the wood or metal stud.

NOTE: If the wall is tiled, drill through the tile ONLY with a $\frac{1}{4}$ " diameter masonry or ceramic tile drill bit and complete drilling the rest of the hole with the $\frac{1}{8}$ " bit.

Step 2:

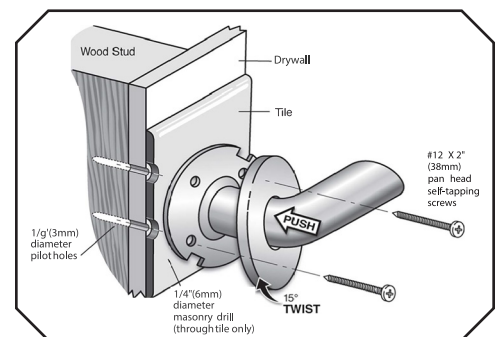
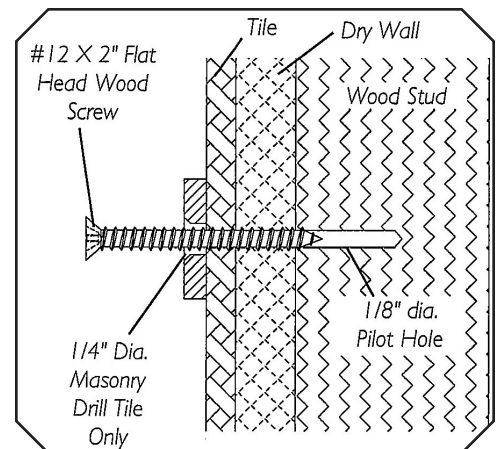
Install the #12 X 2" Pan Head mounting screws through the Grab Bar mounting bracket and directly into the wood or metal stud or bracing.

Step 3:

Once the Grab Bar is securely fastened to the wall, the final step is to install the flanges. If your flange is an exposed type, there is no additional work to be done. If you have a concealed flange, use an allen wrench and 4 allen bolts to fasten the flange to the screw mount. If you have a Twist Lock flange, align the cover plate's locking tabs to the slots on the flange, push in towards the wall, and twist approximately 15° clockwise until locked into place.

Step 4:

If the grab bar is installed inside a bathtub, shower, or other location where it will regularly get wet, use a generous amount of silicone caulk to prevent water from seeping into the mounting holes.



USA 📍 521 Lawrence Rd. NE, Canton, OH 44704 | ✉ cservice@elcoma.com | ☎ 1.800.352.6625 | 📠 1.800.625.5560

CANADA 📍 878 William Street, Midland, Ontario L4R 4P4 | ✉ sales@elcoma.com | ☎ 705.526.9363 | 📠 705.526.7555