

Stainless Steel Flip-up Grab Bar with "All Stainless Steel Friction Hinge"

Configuration: 97

Flip-up
Stainless Bracket

Application Use:

Architectural

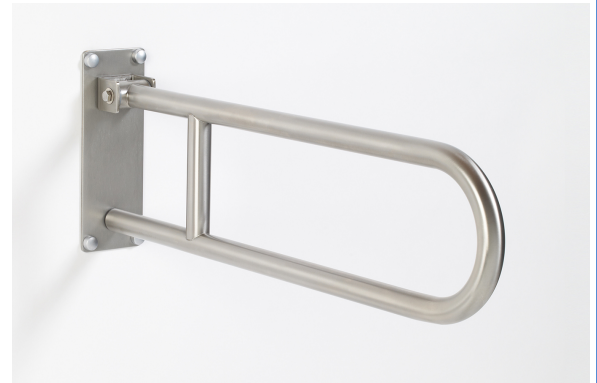
Commercial

Institutional

Residential

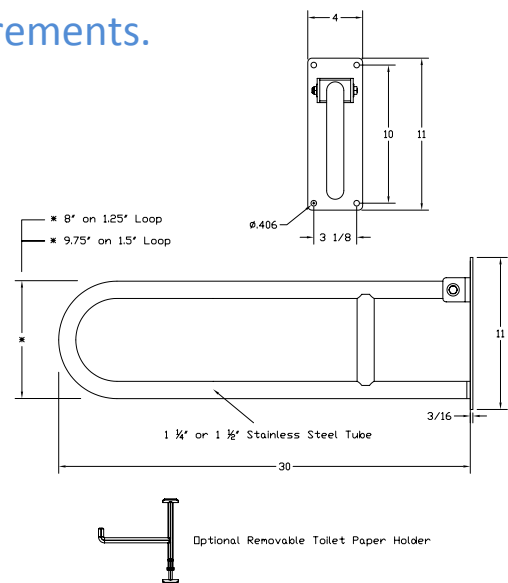
Specifications

Manufactured by ELCOMA from 1.25" & 1.5" 18 gauge, type 304 stainless steel, with an all stainless steel mounting hinge bracket. The smooth motion Friction hinge can be easily raised and lowered from a wheelchair with little effort. The friction holds the bar just past 90 deg when in the up position allowing it to be safely out of the way when not in use. ELCOMA Flip-up grab bars are designed, built, and tested to withstand 250lbs. (113kgs) of vertical load when properly installed.* This exceeds HUD, FHA,VA, ADA, ANSI and other federal, provincial, and local codes. *Grab Bars can only be as strong as what they are mounted to. It is imperative when installing any safety product to consult with a qualified contractor to insure you have sufficient backing.



Custom sizes are available to suit special requirements.

Elcoma manufactures a standard 30" loop with custom lengths available upon request. Flip-up safety rails are designed to be used for vertical load in the down position only.



Bar Diameter:	1.25" & 1.5"
Bar Grip:	Smooth, Peened, Knurled, Shur-Grip (Shur-Grip in 1.25" only)
Wall Bracket:	Satin Finish Stainless Steel & Smooth White
Standard Finishes:	Satin Finish, White or Almond Powder Coating
Custom Finishes:	Multiple colors & finishes available, call your representative or visit www.elcoma.com for selection grid.
Toilet paper options:	Removable
Carrier Options:	In Room Carrier & In Wall Column