

Adult HDP Folding Shower Seats "L" shape with Legs (RH/LH)

Configuration:
60/61 Series
with legs

Application Use:

Architectural

Commercial

Institutional

Residential

Specifications

Folding shower seat manufactured by ELCOMA from 1" (25mm) diameter, 18 gauge and 1.25" x 1.25" (32mm x 32mm), 16 gauge, type 304 stainless steel tubing with #4 satin finish. Wall mount brackets shall be 12 gauge type 304 stainless steel. SOLID HDPE seat shall be 1/2" (13mm) thick and shall be mildew resistant. Shower Seat shall comply with all applicable federal, provincial and local building and safety codes.

HDP - High Density Polyethelene marine grade polymer is an industry standard to withstand the harshest marine conditions. It will not rot or delaminate and is easy to clean.

**** RIGHT HAND SHOWN , LEFT HAND OPPOSITE ORIENTATION ****

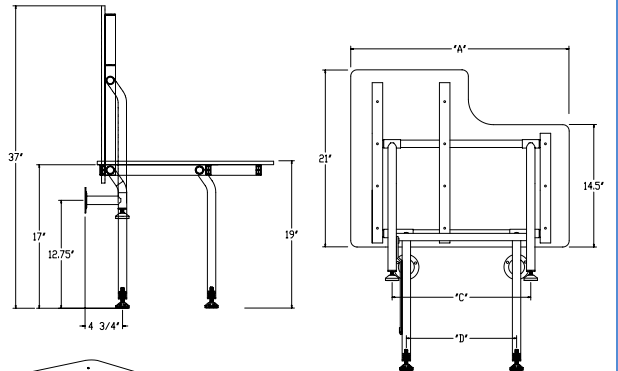


Custom sizes are available to suit special requirements.

| | | | |
|-------------|-----------------|-----------|------------------------|
| 26" x 21" | (660mm x 533mm) | White HDP | Model # 60-PO2620WLEG |
| 28" x 21" | (711mm x 533mm) | White HDP | Model # 60-PO2820WLEG |
| 30" x 21" | (762mm x 533mm) | White HDP | Model # 60-PO3020WLEG |
| 32" x 21" | (812mm x 533mm) | White HDP | Model # 60-PO3220WLEG |
| 34.5" x 21" | (876mm x 533mm) | White HDP | Model # 60-PO34520WLEG |

Model #61 - (for left hand)

Elcoma Shower Seats have been designed and tested to withstand 600lbs. (272kgs) of load when properly installed.* This exceeds HUD, FHA, VA, ADA, ANSI and other federal, provincial, and local codes. *Shower seats can only be as strong as what they are mounted to. It is imperative when installing any shower seat to consult with a qualified contractor to insure you have sufficient backing.



60= Right Hand (shown)
61= Left Hand (opposite)

| SEAT SIZE | "A" | 26 | 28 | 30 | 32 | 34.5 |
|---------------|-----|------|------|------|------|------|
| LEG WIDTH "C" | | 16.4 | 18.4 | 20.4 | 22.4 | 24.9 |
| LEG WIDTH "D" | | 13.1 | 15.1 | 17.1 | 19.1 | 21.6 |

