

Adult Padded Folding Shower Seats "L" shape (RH/LH)

Configuration:
60/61 Series
Padded

Application Use:



Specifications

Folding shower seat manufactured by ELCOMA from 1" (25mm) diameter, 18 gauge and 1.25" x 1.25" (32mm x 32mm), 16 gauge, type 304 stainless steel tubing with #4 satin finish. Wall mount brackets shall be 12 gauge type 304 stainless steel. Padded vinyl cushion shall have 1.5" (38mm) high density, high resilience foam, covered with fire and mildew resistant, UV inhibited, marine grade naugahyde. Waterproof seam cushions shall have no external piping. Seat unit shall comply with all applicable federal, provincial and local building and safety codes.

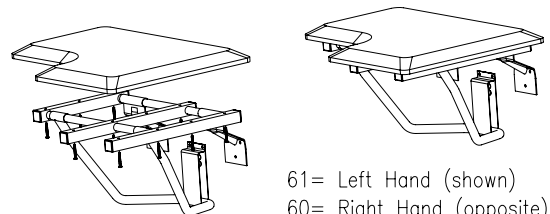
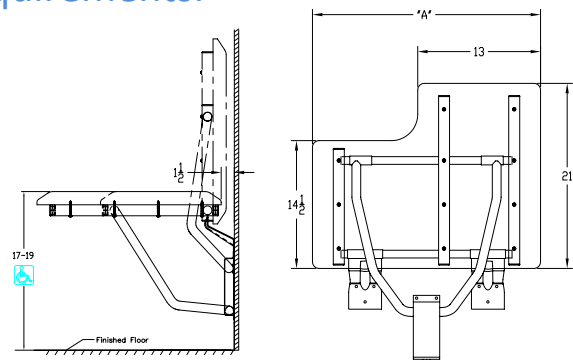


**** LEFT HAND SHOWN , RIGHT HAND OPPOSITE ORIENTATION ****

Custom sizes are available to suit special requirements.

26" x 21" (660mm x 533mm)	White	Model # 61-PA2601
26" x 21" (660mm x 533mm)	Almond	Model # 61-PA2602
28" x 21" (711mm x 533mm)	White	Model # 61-PA2801
28" x 21" (711mm x 533mm)	Almond	Model # 61-PA2802
30" x 21" (762mm x 533mm)	White	Model # 61-PA3001
30" x 21" (762mm x 533mm)	Almond	Model # 61-PA3002
32" x 21" (812mm x 533mm)	White	Model # 61-PA3201
32" x 21" (812mm x 533mm)	Almond	Model # 61-PA3202
34.5" x 21" (876mm x 533mm)	White	Model # 61-PA34501
34.5" x 21" (876mm x 533mm)	Almond	Model # 61-PA34502

Model #60 - (for right hand)



Elcoma Shower Seats have been designed and tested to withstand 400lbs. (182kgs) of load when properly installed.* This exceeds HUD, FHA, VA, ADA, ANSI and other federal, provincial, and local codes. *Shower seats can only be as strong as what they are mounted to. It is imperative when installing any shower seat to consult with a qualified contractor to insure you have sufficient backing.